

# KB9002 Product Brief

PCIe 5.0 32 GT/s and CXL™ 2.0 retimer, x8 bidirectional lanes

## Product overview

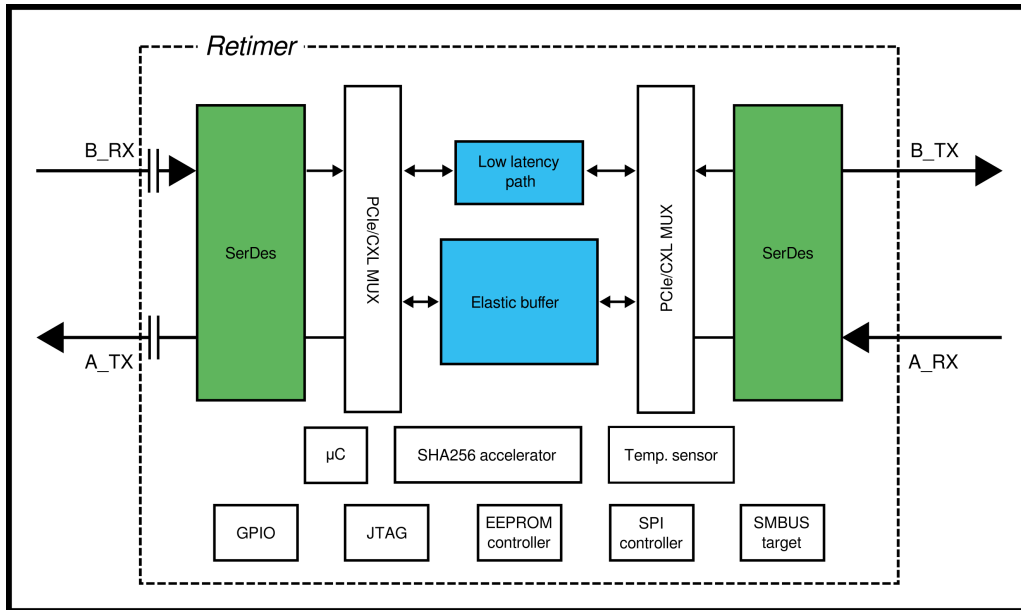


Fig. 1: Block diagram

- An 8-lane bidirectional PCIe® 5.0 protocol-aware retimer that supports data rates up to 32 GT/s.
- CXL™ 2.0 compatible.
- Backwards compatible with PCIe 4.x/3.x/2.x/1.x.
- Dynamically compensates channel loss up to 36 dB. This allows designers to increase the PCIe trace length between a root complex and an endpoint while maintaining signal integrity per the PCI-SIG specification.
- Supports CXL Retiming Mode, a common clock mode with different packet sizes and low latency datapath mode or low-latency applications.
- Supports an integrated microcontroller for debug and firmware upgrades.
- Integrated microcontroller and SHA256 accelerator enabling secure boot at the platform to prevent attackers from altering the sideband boot configuration stored in an external SPI flash.

# Features

- PCIe 5.0 support:
  - Supports 2.5, 5, 8, 16, and 32 GT/s
  - Retiming Mode: Up to MAX packet size (4096 B)
  - Common clock with or without SSC and SRNS modes
  - Ultra-low latency cut-through mode
  - Lane bifurcation support for x8, x4 and x2
- CXL 2.0 support:
  - Supports sync header bypass
  - Enhanced LTSSM to handshake with CXL command
  - Drift Buffer Mode (low latency bypass)
- Extended system reach: RX: Up to 36 dB @ 16 GHz Nyquist using adaptive EQ
- Ultra-low latency:
  - CXL 2.0: 10 ns TYP
  - PCIe 5.0 (Bypass Mode): 10 ns TYP
  - Power Saving Mode: 1.2V/1.5V (VDD\_PWR12)
- Multiple control interface:
  - SMBus target or I2C target (BMC connection)
  - EEPROM controller
  - SPI controller (SPI flash)
  - GPIO strapping pins for lane bifurcation configuration
  - JTAG: support for JTAG 1149.1 and 1149.6
- Flexible clock modes:
  - Integrated Clock Forward Mode buffer
  - PCIe REFCLK and REFCLK\_OUT (100 MHz)
  - Common clock with or without SSC
- Secure platform boot support:
  - OTP for public key (RSA-2048) storage
  - Integrated SHA256 accelerator
  - Integrated MCU
- Integrated debug and error reporting features:
  - Integrated EyeScope
  - Integrated BER monitors
  - Integrated logic analyzer
  - Multiple loopback modes with PRBS pattern generation
- Power supply:
  - VDD\_PWR1: 1.8V
  - VDD\_PWR12: 1.8V (Regular Mode) or 1.2V/1.5V (Power Saving Mode)
  - VDD\_PWR2: 0.9V
- Other:
  - Integrated AC coupling capacitors on the A Channel transmitters and B Channel receivers
  - Ability to force presets during link training
  - Package compatible with Intel PCIe 5.0 standard footprint
- Support for hot-plug and unplug configuration
- EQ bypass: No EQ Needed Mode

# Applications

- Servers, workstations and desktops
- Hyperscalers and data centers
- AI accelerator modules
- 5G infrastructure equipment
- CXL storage and memory
- PCIe storage
- PCIe riser cards, midplanes and backplanes

# Device and ordering options

Table 1: Device and ordering options

Ordering code	Package	Delivery form	Quantity
KB9002-AR	BGA 8.5 mm x 13.4 mm 332-ball	Tape & Reel	1800
KB9002-AD	BGA 8.5 mm x 13.4 mm 332-ball	Tray	170

For ordering information, contact [sales@kandou.com](mailto:sales@kandou.com).

## About us

For more information, visit [www.kandou.com](http://www.kandou.com). All product names, logos, and brands are property of their respective owners. © Kandou Bus S.A.

**Document: KA-009566-PB**



**Approved version: 10**

**Title: KB9002 Product Brief**

---

**Approved By:**

---

Product Manager - Paul Wilson Thu Aug 8 17:07:17 GMT 2024

4f911ef8iOcVZceteu65/OlN0CM

Chip Architect Digital - Meenakshi Chandrasekaran Wed Aug 14 09:01:17 GMT 2024

m1WJxofb7XSQmeSYyTaLE9e0qbo