

Matterhorn™ - KB8002 EVK

Evaluation Kit Product Brief

Product Overview

The KB8002 is part of the Matterhorn product family of USB Type-C™ 40 gigabit per second (Gbit/s) multiprotocol switch and bidirectional bit-level retimers.

The KB8002 evaluation kit (EVK) supports the functional evaluation of the following protocol configurations and features over USB-C™:

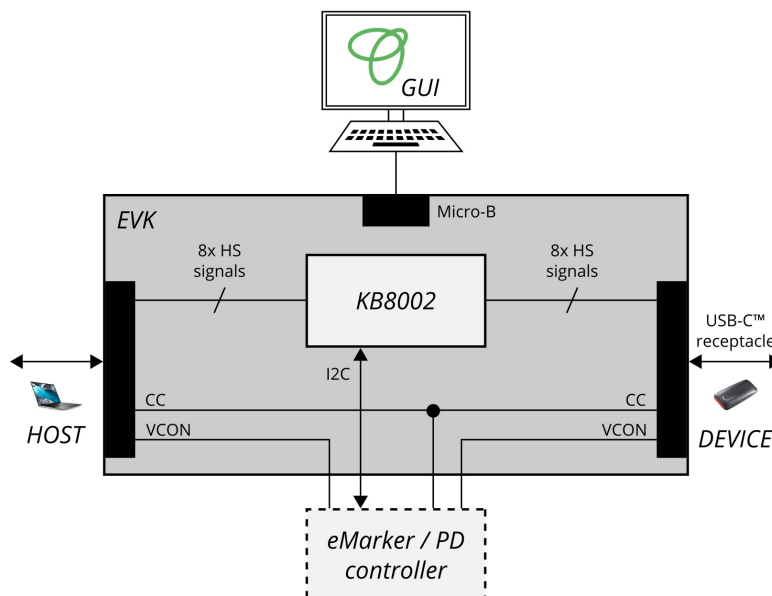
- USB Type-C with USB4 Gen2/3 signaling for 10, 20, and 40 Gbit/s operation
- USB Type-C with USB3.2 Gen1/2 signaling for 5 and 10 Gbit/s operation
- USB Type-C with DisplayPort™ (DP) 1.4a x1, x2, and x4 at HBR3, HBR2, HBR, and RBR rates

- USB Type-C Alternate Mode with USB3.2 (Gen1x1 and Gen2x1) and DP 1.4a x1 and x2 at HBR3, HBR2, HBR, and RBR rates
- USB Type-C Thunderbolt™ 2 and 3 (10.3125 and 20.625 Gbit/s) support single lane, dual lane unbonded, and dual-lane bonded operations
- On-chip diagnostics including Eye Scope and bit error rate (BER) monitors through the Kandou GUI software

EVK Control Modes

The KB8002 EVK supports two modes to control the retimer and manage USB-C ports:

- GUI mode: via the Micro-B USB receptacle (J2) and supplied PC-based GUI
- PDN mode: through its external PDN receptacle (CN2) to Power Delivery (PD) controller



KB8002 EVK Configuration Modes

Package Contents

The KB8002 EVK contains the following:

- 1 x KB8002 evaluation board
- 1 x USB cable Type-A plug to Micro-B plug
- 1 x Quick start guide card containing a GUI software download link

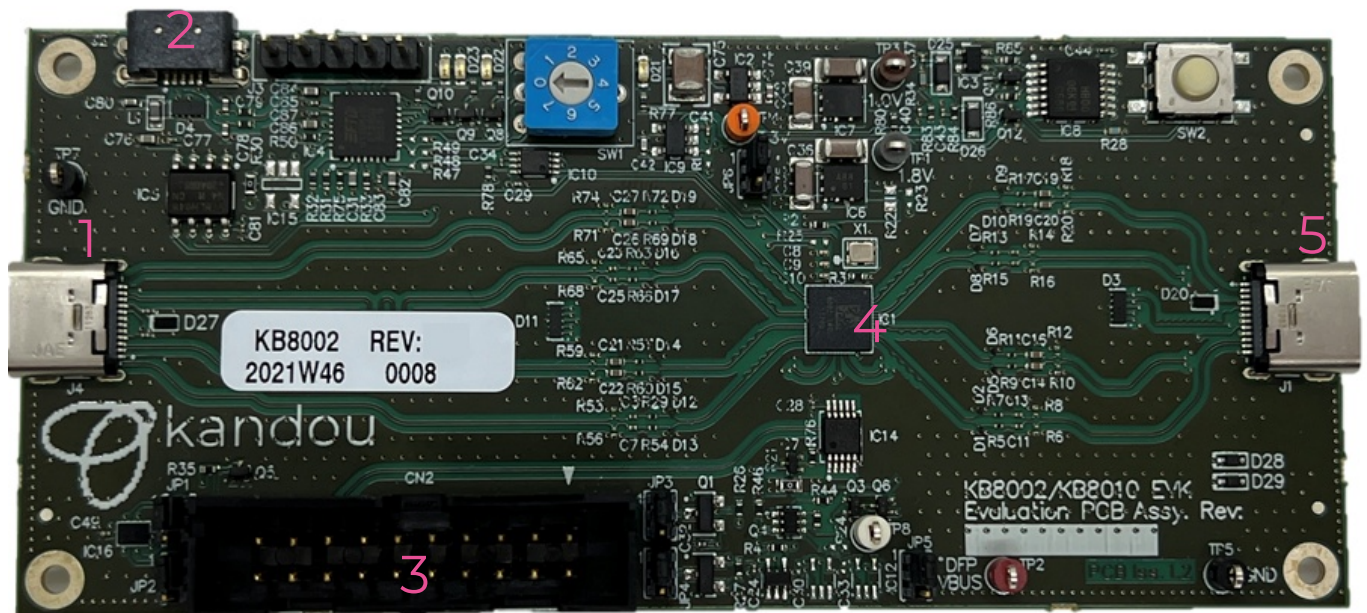
Ordering Information

For ordering or more information, contact:
sales@kandou.com.

About Us

Visit www.kandou.com.

All product names, logos, and brands are property of their respective owners.



KB8002 EVK Board

1: USB-C UFP receptacle 2: Micro-B USB receptacle (J2) 3: PDN receptacle (CN2) 4: KB8002 5: USB-C DFP receptacle